



COOKE BROTHERS

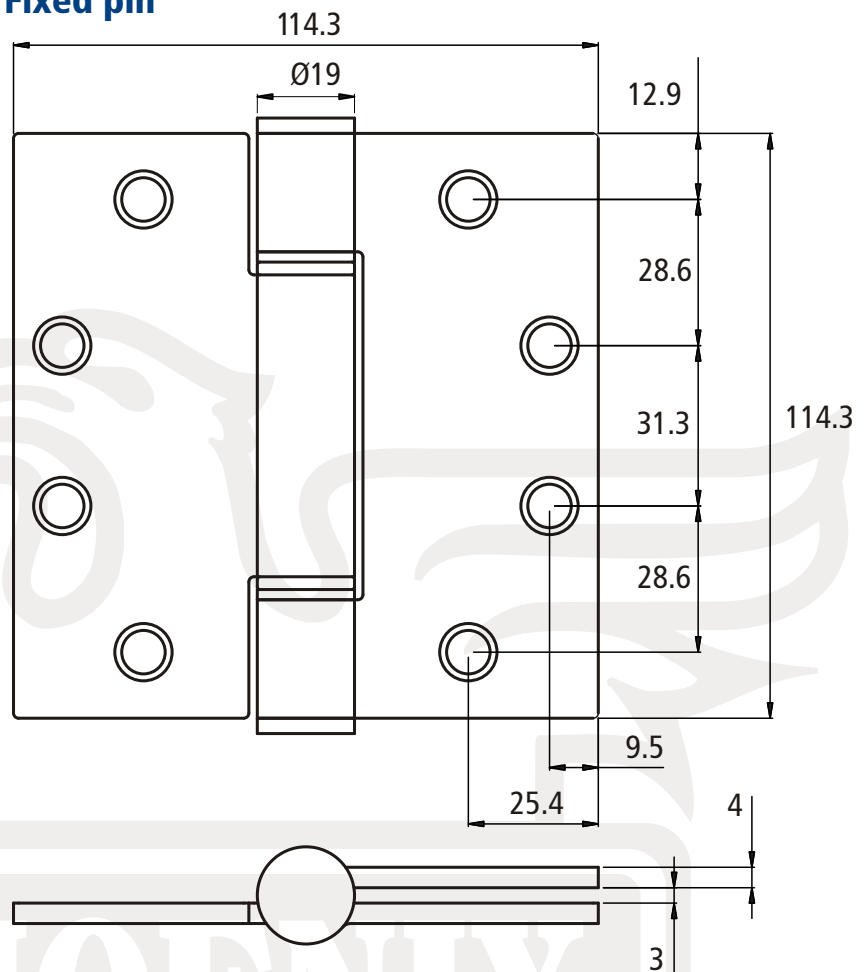
Technical Product Datasheet

7980 - Loadmaster Hinge Range 114.3mm version - Fixed pin

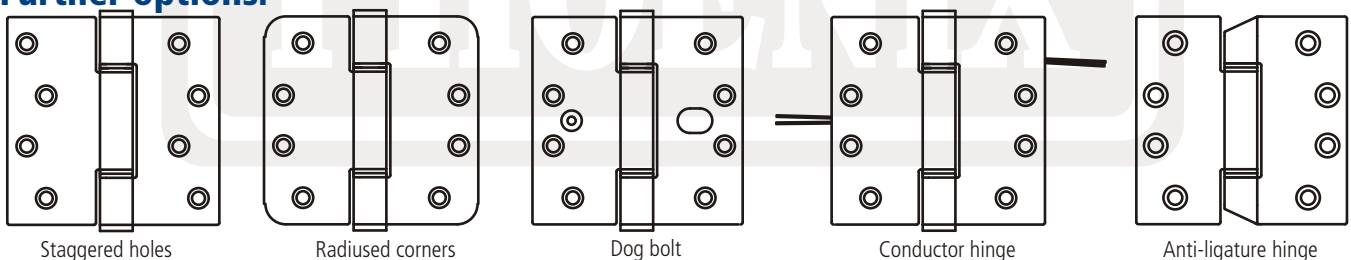
Hinge features

- Maintenance free bearing design
- Available in mild steel and 316 stainless steel
- Heavy duty construction and appearance
- Holes countersunk to suit No 12 w/screws or M6 m/c screws
- Full range of options and finishes available
- 25 year guarantee

Fixed pin



Further options:



Sales: Phone: 01922 740001
Fax: 01922 456227
Email: sales@cookebrothers.co.uk
Website: www.cookebrothers.co.uk

Cooke Brothers Ltd
Northgate, Aldridge, Walsall,
West Midlands, WS9 8TL

