

ABLOY® EL580, EL582 AND PE580 SCANDINAVIAN RANGE SOLENOID LOCKS WITH HANDLE CONTROL



ABLOY® EL580 and PE580 lock cases are an excellent choice for exit doors.

TECHNICAL DETAILS

Operating voltage	12 - 24 V DC (-10%/+15%, stab.)
Current	max. 0.55A (12V DC) idle 0.24A (12V DC) max. 0.27A (24V DC) idle 0.11A (24V DC)
Temperature range	-20 - +60°C
Bolt throw	14 or 20 mm (EL580, EL582) 14 mm (PE580)
Backset	50, 70 mm (EL580, EL582) 50 mm (PE580)
Forend	22 mm
Spindle	8 mm

FINISH

Chrome plated forend

PACKAGE

Lock case, connection plugs, fixing screws, split spindle (EL580, PE580), lock case manual

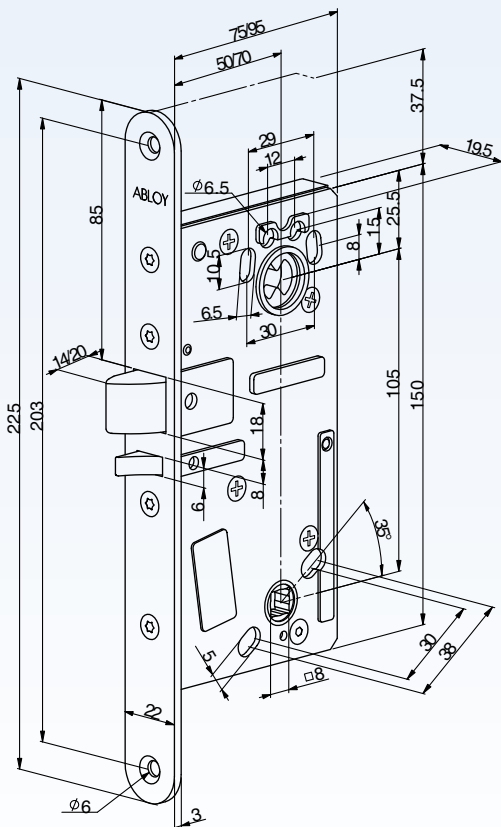
CYLINDERS

- Scandinavian oval and round cylinders:
ABLOY® DISKLOCK PRO, **ABLOY® PROTEC**, ASSA, RUKO, TrioVing or other
- Finnish type cylinders:
ABLOY® PROTEC, **ABLOY® DISKLOCK PRO**, **ABLOY® CLASSIC**

STANDARDS

- EN 1634-1	Fire resistance
- EN 61000-6-1: 2007	EMC
- EN 61000-6-3: 2007	EMC
- EN 12209: 2004	Mechanical resistance
- EN 179: 2008	Emergency exit (EL580)
- EN1125: 1997/A1: 2001	Panic exit (PE580)

DIMENSIONS



ELECTROMECHANICAL LOCK CASES **ABLOY® EL580, EL582 AND PE580 WITH HANDLE CONTROL**



APPLICATIONS

ABLOY® EL580, EL582 and PE580 are recommended to be used in the interior doors of business premises, public buildings, hospitals, educational premises etc. Typical applications are the doors of

- offices
- storage rooms
- technical maintenance rooms
- consulting rooms
- fire doors (medium traffic)

The locks are suitable to be used also in the exterior doors of residential buildings. They are best suited in medium traffic doors and can also be used in fire rated doors (EN).

The locks are not suitable to be used with door automatics.

EL580 and PE580 are suitable for use in exit doors as the inside handle / panic bar is free for egress at all times.

The locks are always automatically deadlocked when the door is closed.

The locks can be controlled by a variety of electrical impulse generating equipment, i.e. card reader, keypad and timer.

FEATURES

ABLOY® EL580, EL582 and PE580 provide alteration of various functions with ease in one lock case - all having total handle control

- interchangeable handing
- changeable function of handle control
- configurable fail locked or fail unlocked
- deadlocked only when the door is closed
- low current feature while continuous control
- 12-24VDC operating voltage
- configuration of deadbolt either 14 or 20mm throw (EL580, EL582)
- increased protection against manipulation

FUNCTION

Handle controlled locks can be set to function as fail locked or as fail unlocked. In the fail locked setting, the lock can be opened by handle when power is on and cannot be opened by handle when power is off. In the fail unlocked setting, the electrical function is reversed.

The locks are automatically deadlocked when the door is closed. False triggering is not possible, but the lock deadlocks only when the door is closed (20 mm bolt throw in EL580 / EL582).

In **ABLOY® EL580** and **PE580** the outside handle is electrically controlled. The lock can always be opened from inside by handle (EL580 / EN 179) or by panic bar (PE580 / EN 1125). In order to function correctly, the handle requires a split spindle. Mechanical opening by cylinder is always possible.

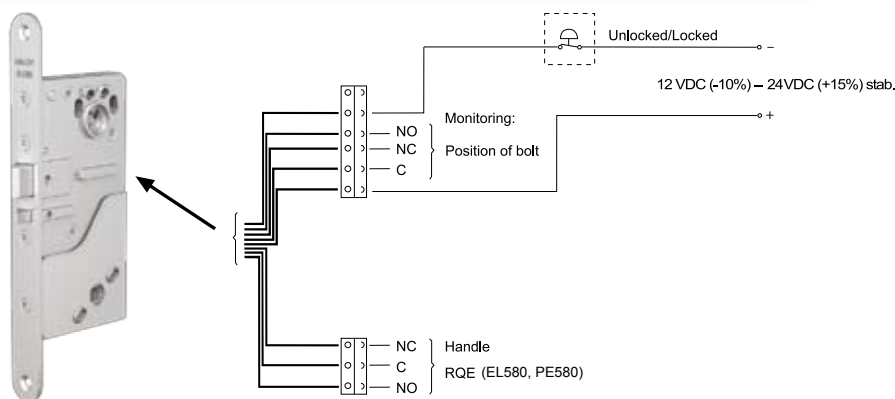
In **ABLOY® EL582** both inside and outside handles are electrically controlled. Mechanical opening by cylinder or thumbturn is always possible.

MONITORING

The locks are equipped with the following monitoring outputs:

- position of bolt
- handle down
- request to exit, RQE (EL580, PE580)

WIRING PRINCIPLE



COMPATIBILITY CHART FOR CYLINDERS AND ACCESSORIES (please order separately)

CYLINDERS AND FITTINGS				ACCESSORIES				
		ABLOY® CLASSIC	ABLOY® DISKLOCK PRO (D) ABLOY® PROTEC (N)		HANDLE / PANIC BAR	STRIKE	CABLE	LEAD COVER
EL580, PE580	Single w/ plate	CY037C	CY037D, N (F)	CY201D, N (SO)**)	See ABLOY Architectural Hardware brochures. Panic bar for PE580: PBE001 It is recommended to use handles with return springs on both sides of the door.	Flush door: LP712 LP717 Rebated door: LP722 LP732	EA210 (6m) EA220 (10m)	EA280 EA281
	EL582	Single w/ thumbturn	CY001C CY028C*)	CY001D, N (F) CY028D, N				
	Double	CY002C CY029C	CY002D, N (F) CY029D, N (F)	CY205D, N (SR) CY202D, N (SO)				

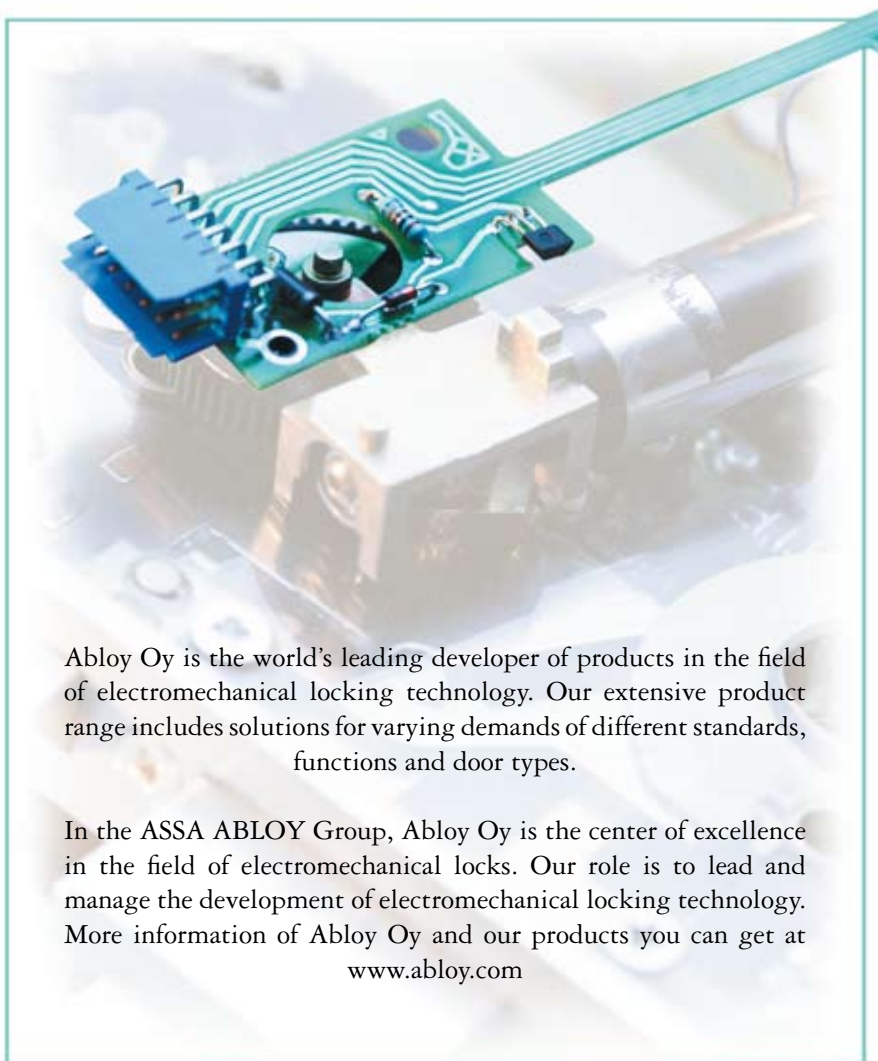
*) compatible with emergency exit dome 6488

***) CY201 single cylinder only, without plate/ thumbturn

SO = Scandinavian oval, F= Finnish,
SR = Scandinavian round



ABLOY® - The sign for security



Abloy Oy is the world's leading developer of products in the field of electromechanical locking technology. Our extensive product range includes solutions for varying demands of different standards, functions and door types.

In the ASSA ABLOY Group, Abloy Oy is the center of excellence in the field of electromechanical locks. Our role is to lead and manage the development of electromechanical locking technology. More information of Abloy Oy and our products you can get at www.abloy.com

This document may not be used in the installation of a lock. Drilling and wiring diagrams and installation instructions are included in the installation manual, which is included in each lock case package.

We reserve the right to make alterations to the products described in this leaflet.



www.abloy.com

Abloy Oy
Wahlforssinkatu 20
P.O.Box 108
FI-80101 JOENSUU
FINLAND
Tel. +358 20 599 2501
Fax +358 20 599 2209

