



COOKE BROTHERS

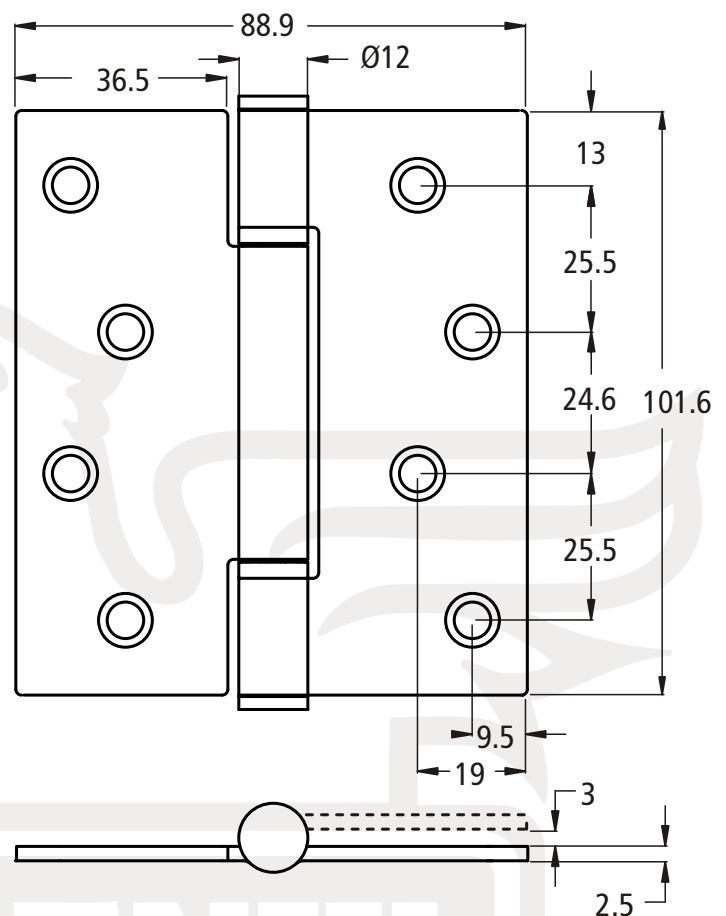
# Technical Product Datasheet

## 7235 - Shrouded Bearing Hinge Range 88.9mm version - Fixed pin

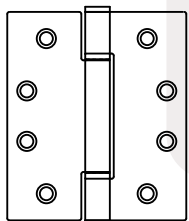
### Hinge features

- Shrouded bearing design
- Available in stainless steel
- 3 hinge widths available
- Integrated high performance bearings
- Maintenance free low friction design
- Tested to EN1935 : 2002 Grade 13 stainless steel
- Holes countersunk to suit No 10 w/screws, M5 m/c screws
- Full range of options and finishes available
- 25 year guarantee

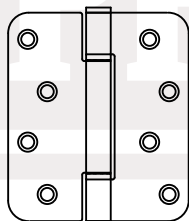
### Fixed pin



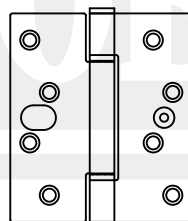
### Further options:



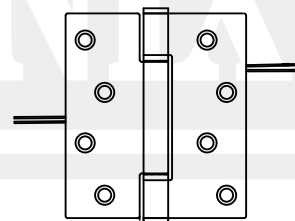
ANSI hole pattern  
(Template drilled)



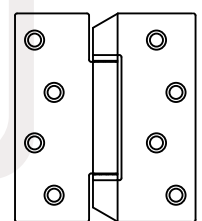
Radiused corners



Dog bolt



Conductor hinge



Anti-ligature hinge

Sales: Phone: 01922 740001  
Fax: 01922 456227  
Email: [sales@cookebrothers.co.uk](mailto:sales@cookebrothers.co.uk)  
Website: [www.cookebrothers.co.uk](http://www.cookebrothers.co.uk)

Cooke Brothers Ltd  
Northgate, Aldridge, Walsall,  
West Midlands, WS9 8TL

