

# Electric strike

## 75-57R-87735Q31



### Electric Strike 75-57R-87735Q31

Most user friendly and versatile strike in the market. Designed for medium-duty applications, this all-in one electric strike offers dual voltage and field selectable fail secure/fail safe operation. The latch cavity accommodates cylindrical locksets with a 1/2" to 5/8" throw (5/8" requires 1/8" door gap) in wood or aluminum frames. Monitoring included as standard and Built-in electronic (Buzzer). The standard ANSI lip in effeff electric strikes accommodates a 1-3/4" thick door which closes flush with the jamb. Where door/jamb relationship is different, one or more strike lip adapters may be added.

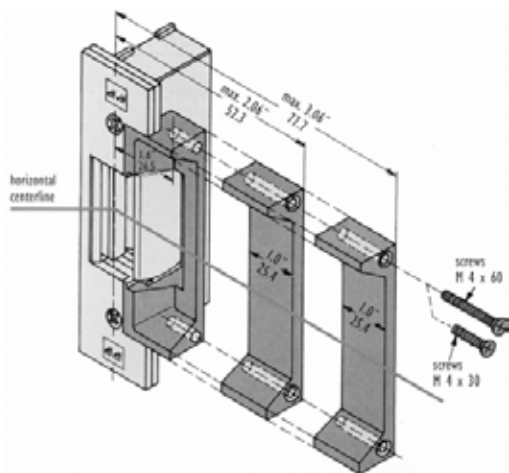
Note: The effeff mounting kit covers two extension lips, each 1". Should a smaller dimension be necessary, please cut it to the required dimension.

### Overview of Advantages

- 12/24 V AC/DC
- Fail safe/ fail secure
- Monitored
- Pre load (Fail secure only)
- Stainless steel 4-7/8" x 1-1/4" plate
- easy to install and connect
- universal handing
- 5 year limited warranty

### Scope of delivery

- 1 electric strike
- 1 LIP bracket
- 1 Stainless steel 4-7/8" x 1-1/4" plate
- 1 Mounting kit



### Technical data

Voltage	12/24 V AC/DC
Adjustable latch (FF, FaFix®)	Yes
Fail-locked	Yes
Fail-unlocks	Yes
Break-in resistance	1,500 lbs
Operating temperature range	-10 °C to +40 °C
Installation position	vertical and horizontal
Load cycles for in-plant test	500,000
Suitability for fire protection	No
Inrush current 0.5 sec. Max.	500 mA
Rated current consumption 12 V DC	130 mA
Rated current consumption 24 V DC	70 mA
Rated current consumption 12 V AC	200 mA
Rated current consumption 24 V AC	70 mA
Max. latch preload AC 12-24 V	20 lbs
Max. latch preload DC 12 V	40 lbs
Max. latch preload 24 V	65 lbs

### Article number

75-57R-87735Q31