



COOKE BROTHERS

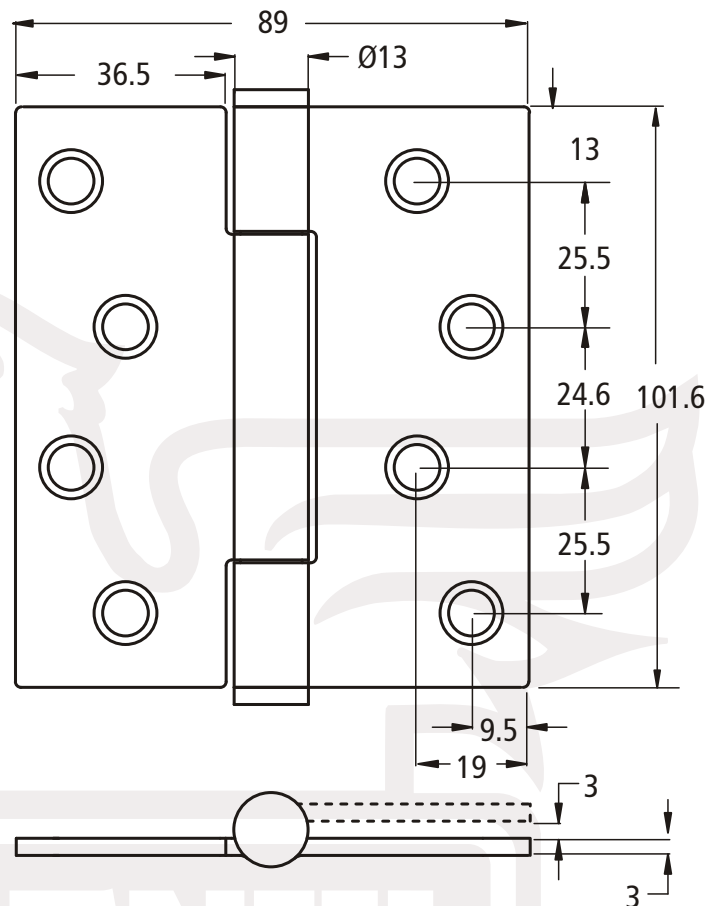
Technical Product Datasheet

7735 - Concealed Bearing Hinge Range 89mm version - Fixed pin

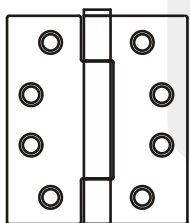
Hinge features

- Fully concealed bearing design
- Integrated high performance bearings
- Maintenance free, low friction design
- Available in mild steel, 304 & 316 stainless steel
- 3 hinge widths available
- Tested to EN1935 : 2002 Grade 14
- Certifire approved
- Holes countersunk to suit No 12 w/screws or M6 m/c screws
- Full range of options and finishes available
- 25 year guarantee

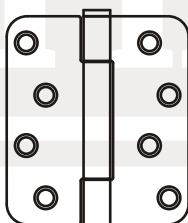
Fixed pin



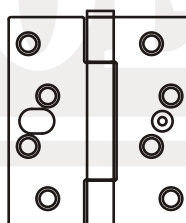
Further options:



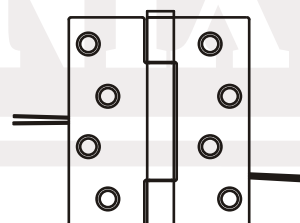
ANSI hole pattern
(Template drilled)



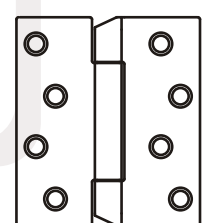
Radiused corners



Dog bolt



Conductor hinge



Anti-ligature hinge

Sales: Phone: 01922 740001
Fax: 01922 456227
Email: sales@cookebrothers.co.uk
Website: www.cookebrothers.co.uk

Cooke Brothers Ltd
Northgate, Aldridge, Walsall,
West Midlands, WS9 8TL

