

# Eximo Range - BS EN179

EP808N

Emergency Push Pad Bolt



ASSA ABLOY

## Application:

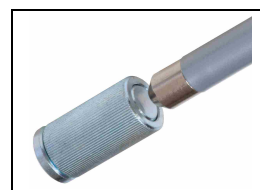
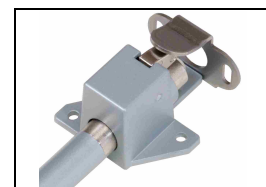
- For areas not accessed by the public where panic is not foreseen
- Suitable for push face of outward opening doors
- Fixings to suit timber or metal doors

## Specification:

- **Ease of adjustment** in main unit by means of top and bottom adjustable locator units
- **Bottom rod unit already assembled** - no cutting required
- Rods already fitted with **round shoot bolts**
- **Spring loaded floor socket**
- **Non-handed** for maximum flexibility
- Automatic top trip
- Downward pressure on push pad withdraws the bolts ensuring immediate release of door
- Top rod can be cut to size to suit door dimensions
- Bolt projection: 14mm
- Anti-thrust
- Adjustable top & bottom shoots
- Complete with signage and pictorial fixing instructions
- Compatible with UNION OAD805N Outside Access Device
- Optional 3-point locking variant available upon request
- Max. Door Leaf Width: 1300mm
- Max. Door Height: 2500mm
- Max. Door Leaf Mass: 200kg

## Finish:

- SIL - Silver (RAL 9006)



## Standards:

- CE marked to BS EN 179
- Included in fire tests to BS EN 1634-1  

3	7	6	B	1	3	4	2	B	B
---	---	---	---	---	---	---	---	---	---
- Signage as required by BS EN 179 annex A19, coloured green & white as detailed in BS 5499
- If in doubt use products which comply to BS EN 1125 for situations where panic is foreseen



# Eximo Range - BS EN179

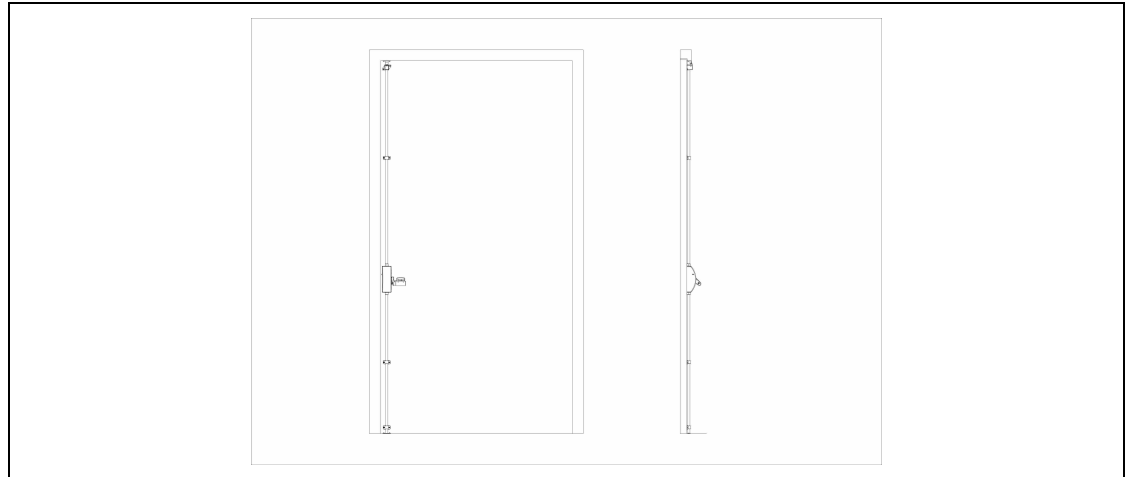
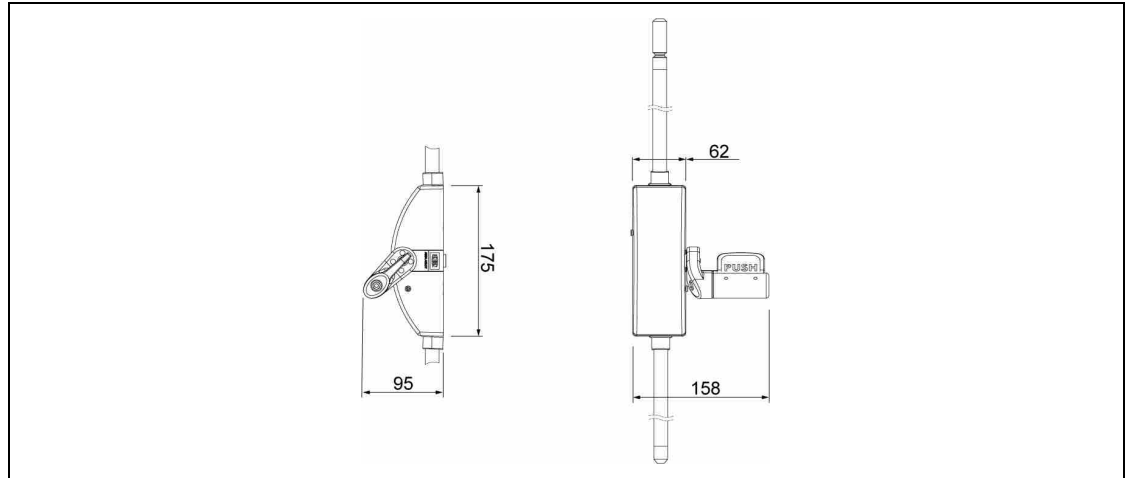
EP808N

Emergency Push Pad Bolt



ASSA ABLOY

Technical Design:



Variants:

J-EPB808N-SIL-W	Emergency Push Pad Bolt, Timber Fixings, Silver Finish
J-EPB808N-SIL-M	Emergency Push Pad Bolt, Metal Fixings, Silver Finish