

Anti-Ligature, Architectural and Continuous Hinges

Technical Specification - Issue 1

Phoenix is the brand for Cooke Brothers, which includes a comprehensive range of Hinges and innovative Architectural Door Products.

Designed for use in areas where there is a clearly identified risk of self harm. Phoenix Anti-Ligature hinges provide a discreet and effective solution by greatly reducing the possibility of the hinge knuckle projection being used as a ligature point.

The choice of hinges featuring Phoenix Anti-Ligature profiles includes high performance concealed bearing architectural hinges and full length continuous hinges in either standard format or the ultra slim Interleaf option.

Anti-ligature Interleaf Continuous hinges save installation time as doors do not require rebating, whilst the unique interleaf construction allows for a minimal 3mm gap between door and frame, unlike a standard architectural continuous hinge gap of 12mm.





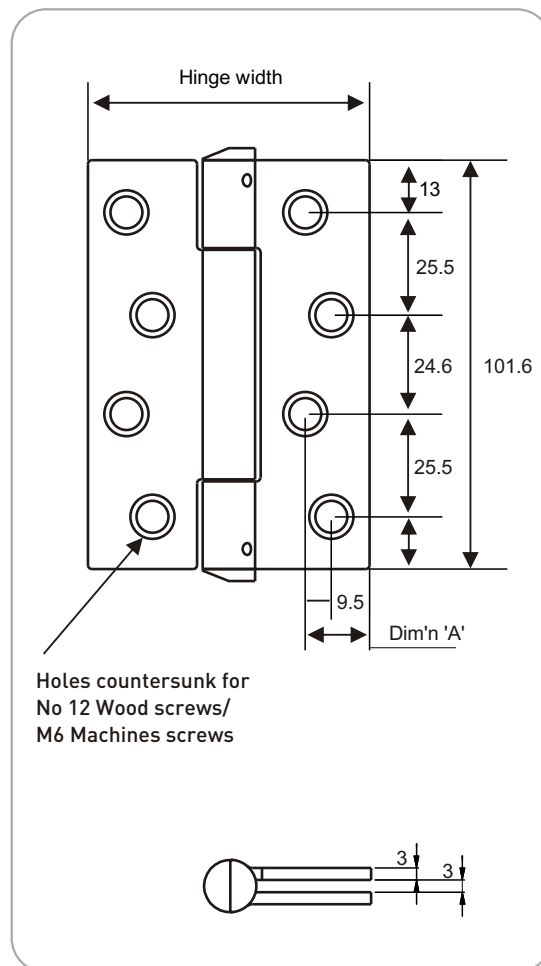
Standard Anti-Ligature Architectural Hinges

Anti-Ligature Architectural hinges are based on the highly specified 7700 series. The Anti-Ligature butt hinge range incorporates maintenance free polymer bearing technology, anti-tamper screws and includes a twenty five year guarantee.

The 7700 series has been successfully tested to the DHF TS001 recommendation for anti-ligature products and has been certified to BS EN 1935 Grade 14, 160kg, CE marked and CERTFIRE approved.

Standard hinge sizes available: 101 x 70mm, 101 x 76mm, 101 x 89mm, suitable for 44mm and 54mm thick doors.

Standard				
Hinge Code	Hinge Length (mm)	Hinge Width (mm)	Leaf Thickness (mm)	Dimension A (mm)
7729CB	101.6	70.0	3	16
7730CB	101.6	76.2	3	19
7735CB	101.6	89.0	3	19
Materials				
Stainless steel grade 304				
Stainless steel grade 316				
Finishes				
Satin polished (SSS)				
Bright polished (PSS)				
Other finishes to special order				



Continuous Anti-Ligature Architectural Hinges

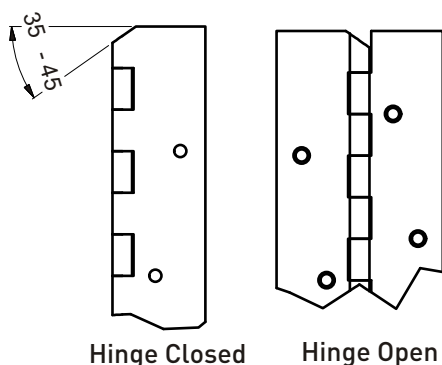
Anti-Ligature Continuous hinges provide an even weight distribution and uninterrupted sight line down the entire length of the door, which greatly reduces the possibility of a ligature point.

The Phoenix continuous hinge range has been tested and certified to BS EN 1935 Grade 14, CE marked and suitable for use on 30 & 60 minute timber fire doors

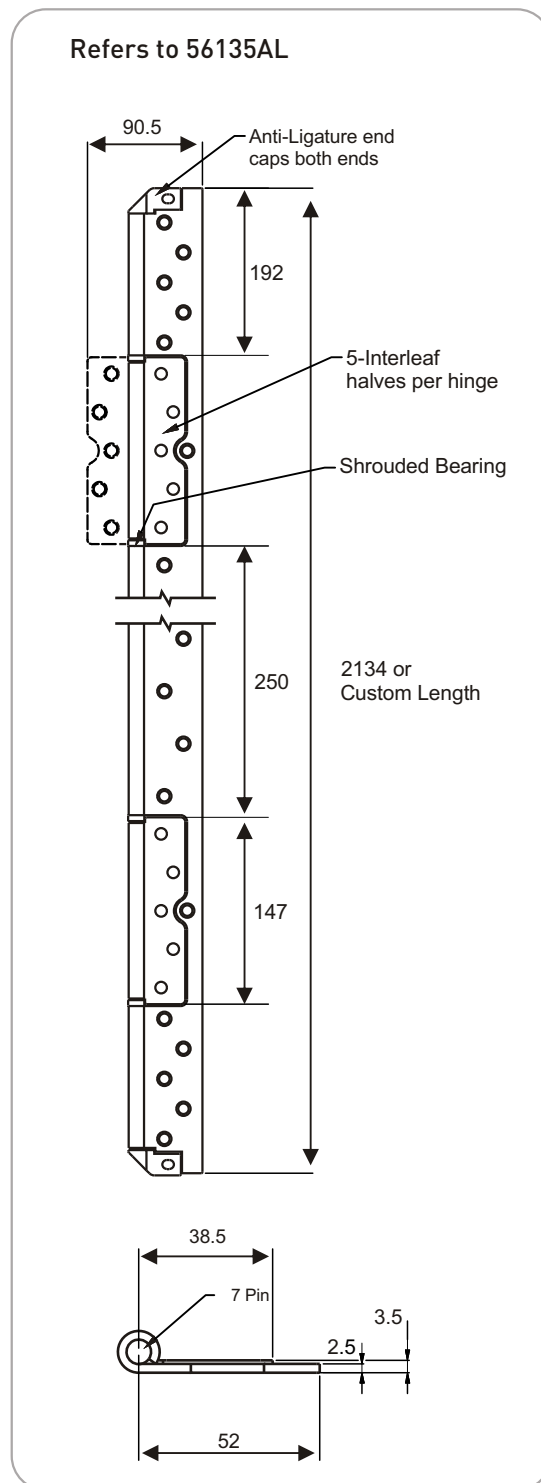
The range is available in a choice of widths from 35mm thick upwards and in standard lengths of 2000mm and 2134mm, with the option of non standard lengths subject to order quantities.

All Phoenix Anti-Ligature hinges are available in range of standard finishes.

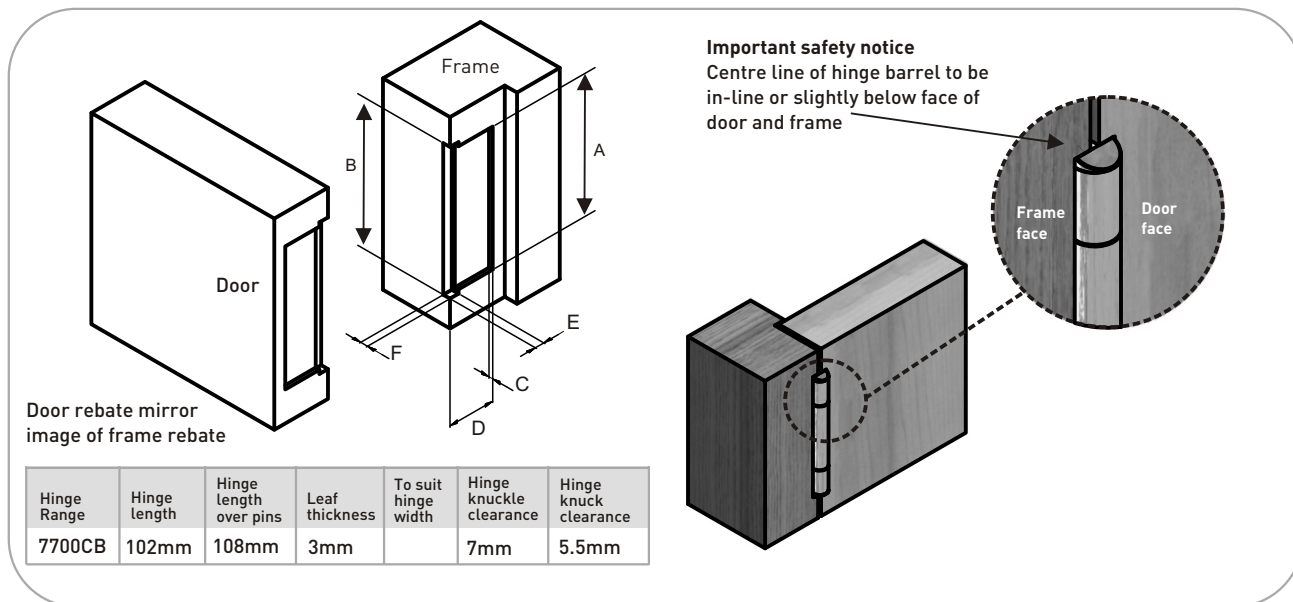
Anti-Ligature				
Hinge Code	Hinge Width (mm)	Hinge Length (mm)	Leaf Thickness (mm)	Door Thickness (mm)
56135AL	52	2134	2.5	44
56152AL	60	2134	2.5	54
56015AL	102	2134	2.5	44 & 54
56016AL	76	2000	2.5	44
Materials				
Stainless steel grade 304				
Finishes				
Satin polished (SSS)				
Bright polished (PSS)				



Available on
56015, 56016



Technical

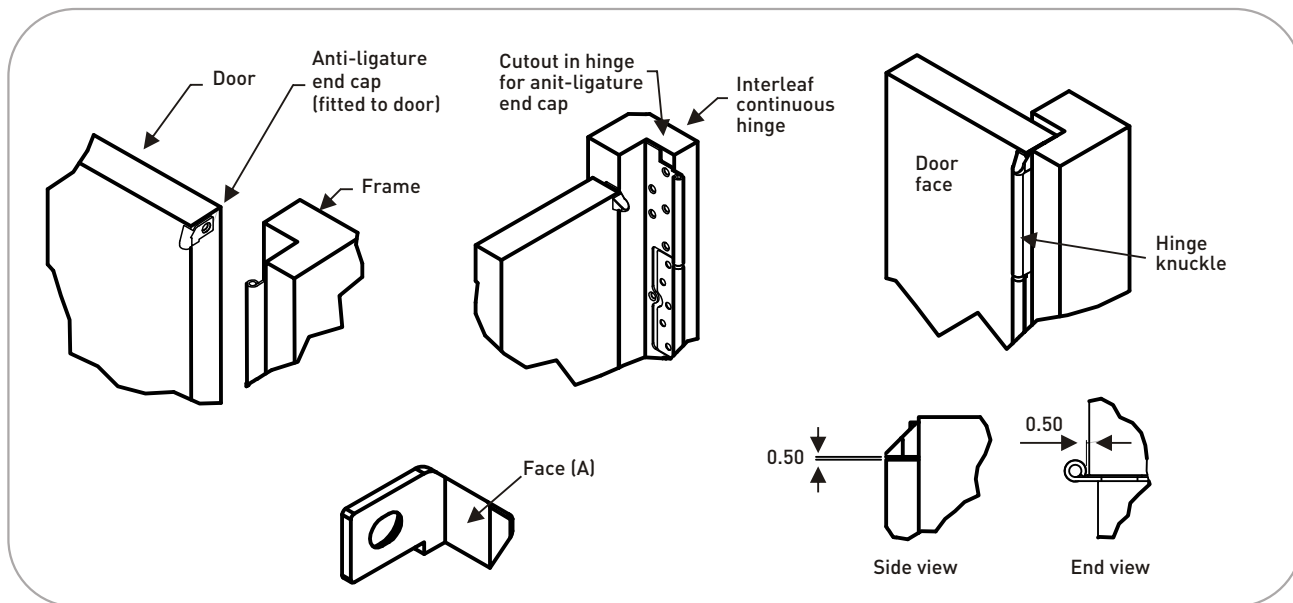


Important safety notice
Centre line of hinge barrel to be in-line or slightly below face of door and frame

Door rebate mirror image of frame rebate

Hinge Range	Hinge length	Hinge length over pins	Leaf thickness	To suit hinge width	Hinge knuckle clearance	Hinge knuck clearance
7700CB	102mm	108mm	3mm		7mm	5.5mm

Fitting Instructions for Standard Anti-Ligature Hinges



Door, Anti-ligature end cap (fitted to door), Frame, Cutout in hinge for anti-ligature end cap, Interleaf continuous hinge, Door face, Hinge knuckle, Face (A), Side view, End view

Fitting Instructions for Anti-ligature end caps for interleaf continuous hinges

1. Fit the hinge to the frame of the door, ensuring 0.5mm gap is left between the knuckle of the hinge and the door face. (See end view)
2. Fit the Anti-Ligature end cap to the door edge using the screw provided, ensuring Face (A) is tight against the Door face. **Important! For anti-ligature function - the gap between the end cap and hinge must not exceed 0.5mm (See side view above).**
3. Repeat "2" for the opposite hand Anti-ligature end cap at the bottom of the hinge.