

SIMONSWERK

TECTUS®

TE 340 3D Energy

with permanent energy transfer for unrebated residential doors - with new snap-fitting connection

Hinge

Technical details

Load capacity	80,0 kg
Overall length	160,0 mm
Width (door)	28,0 mm
Width (frame)	28,0 mm
Cutter diameter	24,0 mm
Opening angle	180° degree
No. of wires	16 No. of wires
Wire cross section	0,14 mm
Max. voltage: 50 V (voltage source acc. SELV-DIN EN 61140)	
Max. current	0,8 A

Descriptive text

SIMONSWERK TECTUS hinge TE 340 3D Energy with integrated and permanent energy transfer. Completely concealed for unrebated and rebated flush doors with timber, steel and aluminium frames. With comfortable 3D adjustment, load capacity up to 80 kg, opening angle up to 180°, overall length 160 mm, right hand and left hand applicable, maintenance-free slide bearings, three-dimensionally adjustable: side +/- 3,0 mm, height +/- 3,0 mm, compression +/- 1,5 mm. Finish...

Note

The load capacity mentioned above refers to the use of 2 hinges per door leaf (1 x 2 m), for detailed information please look at the chapter "technical information".

Please specify accessories when ordering.

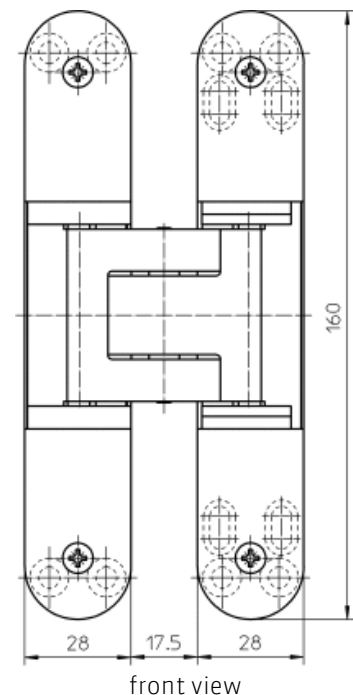
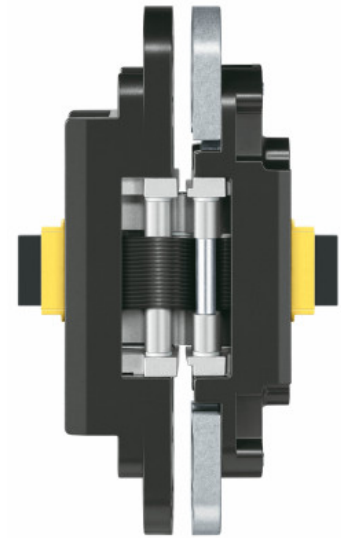
Product features

- completely concealed hinge system
- for timber, steel or aluminium frames
- for unrebated heavy-duty doors
- maintenance-free slide bearings
- with comfortable 3D adjustment (side +/- 3,0 mm, height +/- 3,0 mm, compression +/- 1,0 mm)
- with permanent energy transfer
- individual connection adapter options

Classification key

3	7	4	1	1	* ¹	0	11a
---	---	---	---	---	----------------	---	-----

¹ depending on the finish



SIMONSWERK

TECTUS®

TE 340 3D Energy

with permanent energy transfer for unrebated residential doors - with new snap-fitting connection

Hinge

Quality marks



Combination

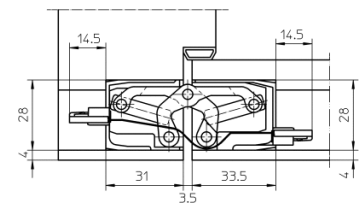
Accessories	adapter 1 TECTUS Energy universal adapter TECTUS Energy round cable TECTUS Energy
Receiver	TE 340 3D FZ/1 TE 340 3D SZ

Installation tools

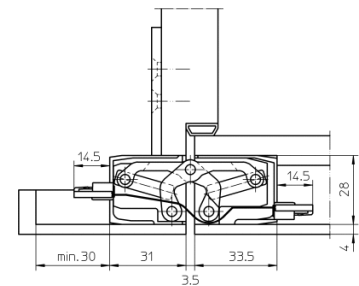
universal milling frame	
template 5 250693 5	step 1
template 5 250694 5	step 2
template 5 250939 5	flat line routing energy

Items (DIN reference: DIN right and left hand)

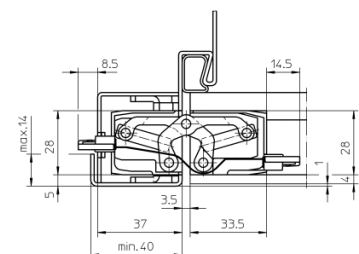
Finish(es)	satin chrome look (F1)
Packing unit	Pack of 1
Item number	5 400659 0 12401
Finish(es)	stainless steel look
Packing unit	Pack of 1
Item number	5 400659 0 12601



block frame



casing frame



steel frame