

SIMONSWERK

TECTUS®

TE 340 3D FR

with integrated intumescent kit for unrebated residential and heavy duty doors

Hinge

Technical details

Load capacity	80,0 kg
Overall length	160,0 mm
Width (door)	28,0 mm
Width (frame)	28,0 mm
Cutter diameter	24,0 mm
Opening angle	180° degree

Descriptive text

SIMONSWERK TECTUS hinge TE 340 3D FR with integrated intumescent kit. Completely concealed for unrebated doors with timber, steel and aluminium frames. With comfortable 3D adjustment, load capacity up to 80 kg, opening angle up to 180°, overall length 160 mm, right hand and left hand applicable, maintenance-free slide bearings, three-dimensionally adjustable: side +/- 3,0 mm, height +/- 3,0 mm, compression +/- 1,0 mm. Finish...

Note

The load capacity mentioned above refers to the use of 2 hinges per door leaf (1 x 2 m), for detailed information please look at the chapter "technical information".

Product features

- completely concealed hinge system
- for timber, steel or aluminium frames
- for unrebated residential and heavy-duty doors
- maintenance-free slide bearings
- with comfortable 3D adjustment (side +/- 3,0 mm, height +/- 3,0 mm, compression +/- 1,0 mm)
- with integrated intumescent kit
- sideways closed hinge body for a homogeneous mortise appearance

Functional areas

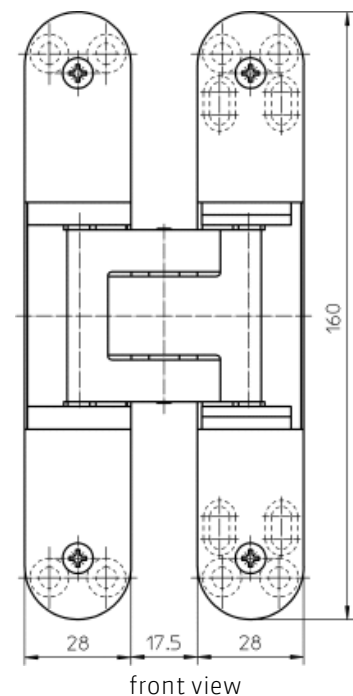
Fire resistance und Smoke resistance

Classification key

3	7	4	1	1	* ¹	0	11a
---	---	---	---	---	----------------	---	-----

¹ depending on the finish

Quality marks



SIMONSWERK

TECTUS®

TE 340 3D FR

with integrated intumescent kit for unrebated residential and heavy duty doors

Hinge

Combination

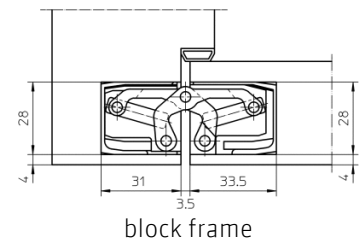
Receiver	TE 340 3D FZ/1 TE 340 3D SZ
----------	--------------------------------

Installation tools

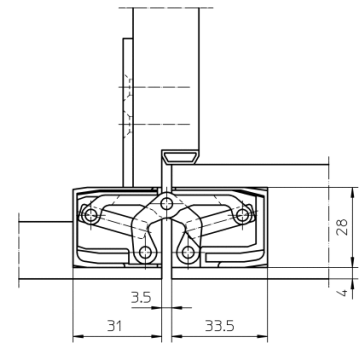
universal milling frame	
template 5 250693 5	step 1
template 5 250694 5	step 2

Items (DIN reference: DIN right and left hand)

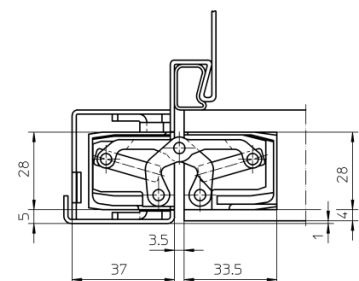
Finish(es)	satin chrome look (F1)
Packing unit	Pack of 2
Item number	5 400621 0 12402
Finish(es)	stainless steel look
Packing unit	Pack of 2
Item number	5 400621 0 12602



block frame



casing frame



steel frame