

SIMONSWERK

TECTUS®

TE 540 3D A8

for unrebated heavy-duty doors with claddings up to 8 mm

Hinge

Technical details

| | |
|-----------------|--------------|
| Load capacity | 100,0 kg |
| Overall length | 200,0 mm |
| Width (door) | 32,0/37,0 mm |
| Width (frame) | 32,0/37,0 mm |
| Cutter diameter | 24,0 mm |
| Opening angle | 180° degree |

Descriptive text

SIMONSWERK TECTUS hinge TE 540 3D A8 for doors with claddings of up to 8 mm. Completely concealed for unrebated doors with timber, steel and aluminium frames. UL-certified, with comfortable 3D adjustment, load capacity up to 100 kg, opening angle up to 180°, overall length 200 mm, right hand and left hand applicable, maintenance-free slide bearings, three-dimensionally adjustable: side +/- 3,0 mm, height +/- 3,0 mm, compression +/- 1,0 mm. Finish...

Note

The load capacity mentioned above refers to the use of 2 hinges per door leaf (1 x 2 m), for detailed information please look at the chapter "technical information".

Product features

- completely concealed hinge system
- for timber, steel or aluminium frames
- for unrebated heavy-duty doors
- maintenance-free slide bearings
- with comfortable 3D adjustment (side +/- 3,0 mm, height +/- 3,0 mm, compression +/- 1,0 mm)
- cladding up to 8 mm
- sideways closed hinge body for a homogeneous mortise appearance

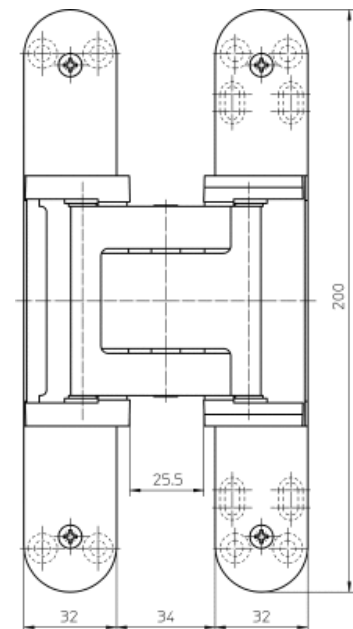
Functional areas

Fire resistance, Smoke resistance, Soundproof und Burglar resistance

Classification key

| | | | | | | | |
|---|---|---|---|---|----------------|---|-----|
| 4 | 7 | 5 | 1 | 1 | * ¹ | 1 | 12a |
|---|---|---|---|---|----------------|---|-----|

¹ depending on the finish



front view

Quality marks



SIMONSWERK

TECTUS®

TE 540 3D A8

for unrebated heavy-duty doors with claddings up to 8 mm

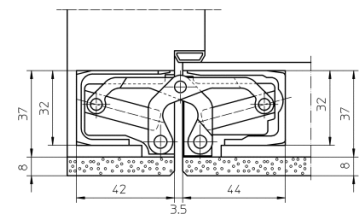
Hinge

Combination

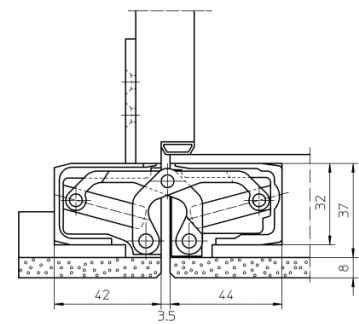
| | |
|-------------|-------------------------------------|
| Accessories | cover plate set TECTUS A8 radius |
| Receiver | TE 540 3D FZ/1 TE 540 3D A8 SZ |

Installation tools

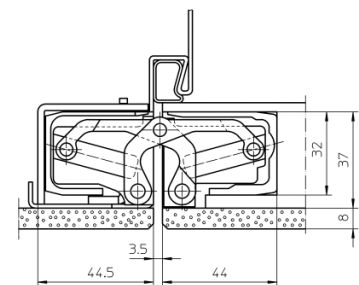
| | |
|-------------------------|---------------------------|
| universal milling frame | |
| template 5 250680 5 | step 1 |
| template 5 250681 5 | step 2 |
| template 5 250682 5 | step 3 |
| template 5 250687 5 | step 3 (without cladding) |



block frame



casing frame



steel frame

SIMONSWERK

TECTUS®

TE 540 3D A8

for unrebated heavy-duty doors with claddings up to 8 mm

Hinge

Items (DIN reference: DIN right and left hand)

| | |
|---------------------|-----------------------------|
| Finish(es) | polished brassed |
| Packing unit | Pack of 2 |
| Item number | 5 400615 0 03002 |
| Finish(es) | polished nickelled |
| Packing unit | Pack of 2 |
| Item number | 5 400615 0 03802 |
| Finish(es) | traffic white - RAL 9016 |
| Packing unit | Pack of 2 |
| Item number | 5 400615 0 07002 |
| Finish(es) | powder-coated |
| Packing unit | EUR-pallet |
| Item number | 5 400615 0 07975 |
| Finish(es) | matte deep black - RAL 9005 |
| Packing unit | Pack of 2 |
| Item number | 5 400615 0 10702 |
| Finish(es) | satın chrome look (F1) |
| Packing unit | Pack of 2 |
| Item number | 5 400615 0 12402 |
| Finish(es) | satın nickel look (F2) |
| Packing unit | Pack of 2 |
| Item number | 5 400615 0 12502 |
| Finish(es) | stainless steel look |
| Packing unit | Pack of 2 |
| Item number | 5 400615 0 12602 |
| Finish(es) | satın-nickel |
| Packing unit | Pack of 2 |
| Item number | 5 400615 0 14402 |
| Finish(es) | satın-chrom |
| Packing unit | Pack of 2 |
| Item number | 5 400615 0 14602 |
| Finish(es) | rustic umber |
| Packing unit | Pack of 2 |
| Item number | 5 400615 0 15602 |
| Finish(es) | bronze metallic |
| Packing unit | Pack of 2 |
| Item number | 5 400615 0 16802 |