

# SIMONSWERK TECTUS®

## TE 540 3D A8 FR

with integrated intumescent kit for unrebated heavy-duty doors with claddings up to 8 mm

### Hinge

#### Technical details

Load capacity	100,0 kg
Overall length	200,0 mm
Width (door)	32,0/37,0 mm
Width (frame)	32,0/37,0 mm
Cutter diameter	24,0 mm
Opening angle	180° degree

#### Descriptive text

SIMONSWERK TECTUS hinge TE 540 3D A8 FR with integrated intumescent kit, for doors with claddings of up to 8 mm. Completely concealed for unrebated doors with timber, steel and aluminium frames. With comfortable 3D adjustment, load capacity up to 100 kg, opening angle up to 180°, overall length 200 mm, right hand and left hand applicable, maintenance-free slide bearings, three-dimensionally adjustable: side +/- 3,0 mm, height +/- 3,0 mm, compression +/- 1,0 mm. Finish...

#### Note

The load capacity mentioned above refers to the use of 2 hinges per door leaf (1 x 2 m), for detailed information please look at the chapter "technical information".

#### Product features

- completely concealed hinge system
- for timber, steel or aluminium frames
- for unrebated heavy-duty doors
- maintenance-free slide bearings
- with comfortable 3D adjustment (side +/- 3,0 mm, height +/- 3,0 mm, compression +/- 1,0 mm)
- cladding up to 8 mm
- with integrated intumescent kit
- sideways closed hinge body for a homogeneous mortise appearance

#### Functional areas

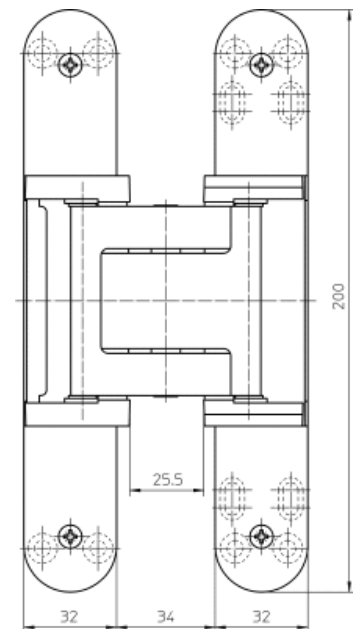
Fire resistance, Smoke resistance, Soundproof und Burglar resistance

#### Classification key

4	7	5	1	1	* <sup>1</sup>	1	12a
---	---	---	---	---	----------------	---	-----

<sup>1</sup> depending on the finish

#### Quality marks



front view

# SIMONSWERK

## TECTUS®

### TE 540 3D A8 FR

with integrated intumescent kit for unrebated heavy-duty doors with claddings up to 8 mm

#### Hinge

#### Combination

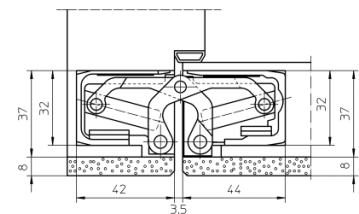
Accessories	cover plate set TECTUS A8 radius
Receiver	TE 540 3D FZ/1 TE 540 3D A8 SZ

#### Installation tools

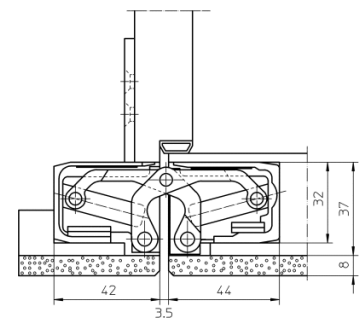
universal milling frame	
template 5 250680 5	step 1
template 5 250681 5	step 2
template 5 250682 5	step 3
template 5 250687 5	step 3 (without cladding)

#### Items (DIN reference: DIN right and left hand)

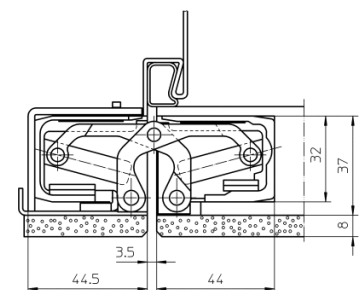
<b>Finish(es)</b>	satin chrome look (F1)
<b>Packing unit</b>	Pack of 2
<b>Item number</b>	5 400628 0 12402
<b>Finish(es)</b>	stainless steel look
<b>Packing unit</b>	Pack of 2
<b>Item number</b>	5 400628 0 12602



block frame



casing frame



steel frame