

SIMONSWERK

TECTUS®

TE 540 3D

for unrebated heavy-duty doors

Hinge

Technical details

Load capacity	120,0 kg
Overall length	200,0 mm
Width (door)	32,0 mm
Width (frame)	32,0 mm
Cutter diameter	24,0 mm
Opening angle	180° degree

Descriptive text

SIMONSWERK TECTUS hinge TE 540 3D. Completely concealed for unrebated doors with timber, steel and aluminium frames. UL-certified, with comfortable 3D adjustment, load capacity up to 120 kg, opening angle up to 180°, overall length 200 mm, right hand and left hand applicable, maintenance-free slide bearings, three-dimensionally adjustable: side +/- 3,0 mm, height +/- 3,0 mm, compression +/- 1,0 mm. Finish...

Note

The load capacity mentioned above refers to the use of 2 hinges per door leaf (1 x 2 m), for detailed information please look at the chapter "technical information".

Product features

- completely concealed hinge system
- for timber, steel or aluminium frames
- for unrebated heavy-duty doors
- maintenance-free slide bearings
- with comfortable 3D adjustment (side +/- 3,0 mm, height +/- 3,0 mm, compression +/- 1,0 mm)
- sideways closed hinge body for a homogeneous mortise appearance

Functional areas

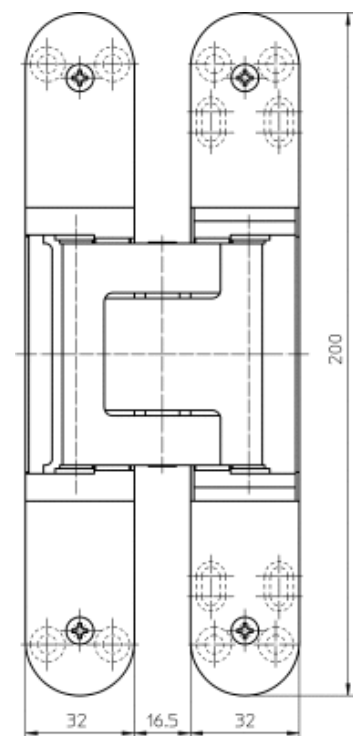
Fire resistance, Smoke resistance, Soundproof und Burglar resistance

Classification key

4	7	6	1	1	* ¹	1	13
---	---	---	---	---	----------------	---	----

¹ depending on the finish

Quality marks



front view

SIMONSWERK

TECTUS®

TE 540 3D

for unrebated heavy-duty doors

Hinge

Combination

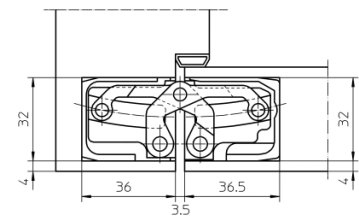
Receiver	TE 540 3D FZ/1 TE 540 3D SZ
----------	--------------------------------

Installation tools

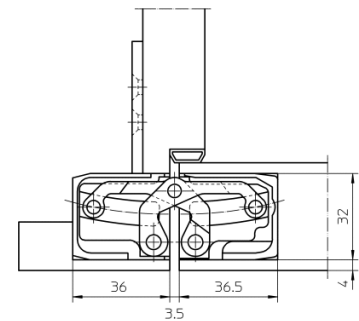
universal milling frame	
template 5 250680 5	step 1
template 5 250681 5	step 2

Items (DIN reference: DIN right and left hand)

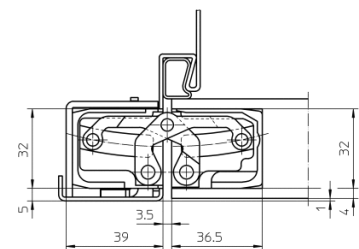
Finish(es)	polished brass
Packing unit	Pack of 2
Item number	5 400611 0 03002
Finish(es)	polished nickelled
Packing unit	Pack of 2
Item number	5 400611 0 03802
Finish(es)	traffic white - RAL 9016
Packing unit	Pack of 2
Item number	5 400611 0 07002
Finish(es)	powder-coated
Packing unit	EUR-pallet
Item number	5 400611 0 07975
Finish(es)	matte deep black - RAL 9005
Packing unit	Pack of 2
Item number	5 400611 0 10702
Finish(es)	satin chrome look (F1)
Packing unit	Pack of 2
Item number	5 400611 0 12402
Finish(es)	satin nickel look (F2)
Packing unit	Pack of 2
Item number	5 400611 0 12502
Finish(es)	stainless steel look
Packing unit	Pack of 2
Item number	5 400611 0 12602
Finish(es)	satin-nickel
Packing unit	Pack of 2
Item number	5 400611 0 14402
Finish(es)	satin-chrom
Packing unit	Pack of 2
Item number	5 400611 0 14602
Finish(es)	rustic umber
Packing unit	Pack of 2
Item number	5 400611 0 15602
Finish(es)	bronze metallic
Packing unit	Pack of 2
Item number	5 400611 0 16802



block frame



casing frame



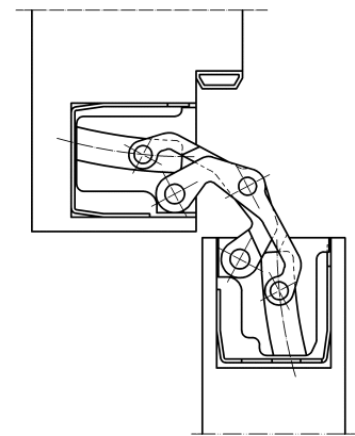
steel frame

SIMONSWERK
TECTUS®

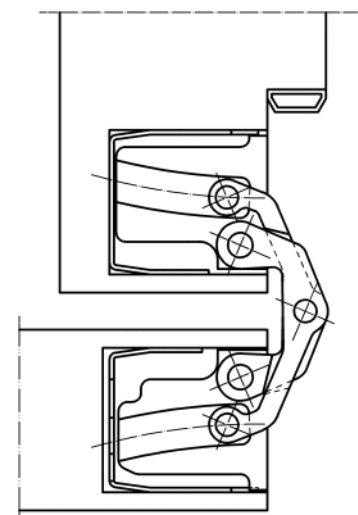
TE 540 3D

for unrebated heavy-duty doors

Hinge



block frame 90°



block frame 180°

While every due care has been taken, we cannot be held responsible for errors, omissions or defects. We kindly ask for your understanding.

© SIMONSWERK UK Ltd.